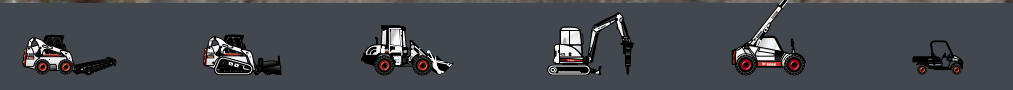




Bobcat[®]

E35

Compact Excavators



Standard Features

| | |
|--|--|
| 1750 mm dozer blade | Fingertip auxiliary and offset hydraulic control |
| 320 mm rubber tracks | Horn |
| Auto idle | Hydraulic joystick controls |
| Auto shift travel | Lockable storage compartment |
| Auxiliary hydraulics with Quick Couplers | Radio/MP3 ready |
| Blade float feature | Retractable seat belt |
| Cab light | Suspension seat with high back |
| Clamp ready | * TOPS/ROPS canopy |
| Control console locks | Two-speed travel |
| Cupholder | Work lights (boom and upperstructure) |
| Engine/hydraulic monitor with shutdown | Warranty: 12 months, 2000 hours (Whichever occurs first) |

Weights

| | |
|--|---------|
| Operating weight with ROPS canopy | 3349 kg |
| Additional weight for cab with heater | 121 kg |
| Additional weight for cab with HVAC | 140 kg |
| Additional weight for steel tracks | 96 kg |
| Additional weight for long dipperstick | 306 kg |

Engine

| | |
|--|-------------------------------------|
| Make / model | Kubota / D1803-M-D1-E3B-BC-3 |
| Fuel / Cooling | Diesel / Liquid, forced circulation |
| Bore / Stroke | 87.0 mm / 102.4 mm |
| Maximum power at 2400 RPM (SAE J1995) | 24.4 kW |
| Maximum torque at 1400 RPM (SAE J1995) | 107.4 Nm |
| Number of cylinders | 3 |
| Displacement | 1.862 l |

Performance

| | |
|--|----------|
| Digging force, stand. dipperstick | 21000 N |
| Digging force, long dipperstick | 18320 N |
| Digging force, bucket | 31500 N |
| Drawbar pull | 34034 N |
| Ground pressure with standard dipperstick and rubber tracks | 28.6 kPa |
| Ground pressure with standard dipperstick and steel tracks | 29.4 kPa |
| Ground pressure with long dipperstick and rubber tracks | 31.2 kPa |
| Ground pressure with long dipperstick and steel tracks | 32 kPa |
| Travel speed, low range | 2.6 km/h |
| Travel speed, high range | 4.7 km/h |
| Maximum digging depth, standard dipperstick | 3117 mm |
| (K) Maximum digging depth, long dipperstick | 3417 mm |

Hydraulic System

| | |
|--|---|
| Pump type | Single outlet variable displacement, load sensing torque limited pump |
| Piston pump capacity | 100.8 l/min |
| Gear pump capacity | 9.6 l/min |
| Auxiliary flow | 63.9 l/min |
| Port relief pressure for boom circuits | 290 Bar |

Fluid Capacities

| | |
|--|--------|
| Cooling system | 8.0 l |
| Engine lubrication plus oil filter | 5.2 l |
| Fuel reservoir | 53.1 l |
| Hydraulic reservoir | 9.5 l |
| Hydraulic system with bucket and dipper cylinder retracted, bucket on the ground, and blade down | 39.7 l |

Controls

| | |
|----------------------|---|
| Steering | Direction and speed controlled by two pilot-operated hand levers or two foot pedals |
| Auxiliary hydraulics | Electric switch in right joystick (left joystick for 2 nd auxiliary) |

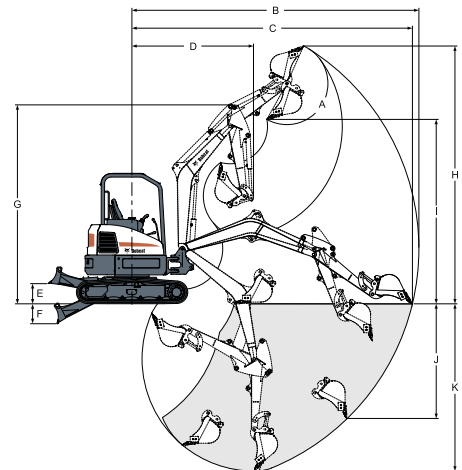
Slew System

| | |
|-------------------|---------|
| Boom swing, left | 77° |
| Boom swing, right | 55° |
| Slew rate | 8.6 RPM |

Traction

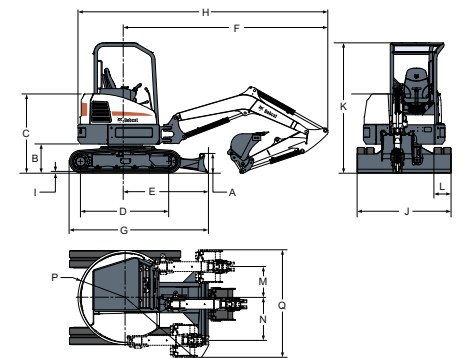
| | |
|--------------|--------|
| Track width | 320 mm |
| Gradeability | 30° |

Working Range



| | | | | | |
|-----|---------|-----|---------|-----|---------|
| (B) | 5633 mm | (G) | 3708 mm | (I) | 3618 mm |
| (C) | 5520 mm | (H) | 4985 mm | (J) | 2414 mm |
| (D) | 2327 mm | (E) | 376 mm | (K) | 3417 mm |
| (A) | 185° | (F) | 371 mm | (L) | 3437 mm |
| (B) | 5351 mm | (G) | 3708 mm | (J) | 2136 mm |
| (C) | 5230 mm | (H) | 4804 mm | (K) | 3117 mm |
| (D) | 2267 mm | | | | |

Dimensions



| | | | | | |
|-----|---------|-----|---------|-----|---------|
| (F) | 3796 mm | (H) | 4829 mm | (O) | 1841 mm |
| (A) | 353 mm | (G) | 2068 mm | (M) | 575 mm |
| (B) | 537 mm | (H) | 4820 mm | (N) | 795 mm |
| (C) | 1473 mm | (I) | 23 mm | (O) | 1788 mm |
| (D) | 1647 mm | (J) | 1750 mm | (P) | 875 mm |
| (E) | 1546 mm | (K) | 2429 mm | (Q) | 1982 mm |
| (F) | 3787 mm | (L) | 320 mm | | |

Options

| | |
|--|--|
| Air conditioning (Cab with HVAC) | Lifting chain kit |
| Heating (Cab with heater) | Travel motion alarm |
| Long dipperstick | 300mm Steel tracks |
| 2 nd Auxiliary hydraulics | Beacon kit |
| Deluxe textile suspension seat | Left and right mirror kit |
| Boom safety valve with overload warning | Additional work light kit |
| Boom & arm safety valves with overload warning | Rubber bolt-on pads for steel tracks |
| AM/FM MP3 stereo radio | Special applications kit (Front windscreen protection) |
| FOGS kit (Overhead guard) | Fuel filter with transparent water separator |

Attachments

| | |
|-------------------|-----------------------------|
| Auger | Digging bucket |
| Grading bucket | Tilt rotator |
| Hydraulic breaker | Tilt bucket / Swivel bucket |
| Hydraulic clamp | |



www.bobcat.eu