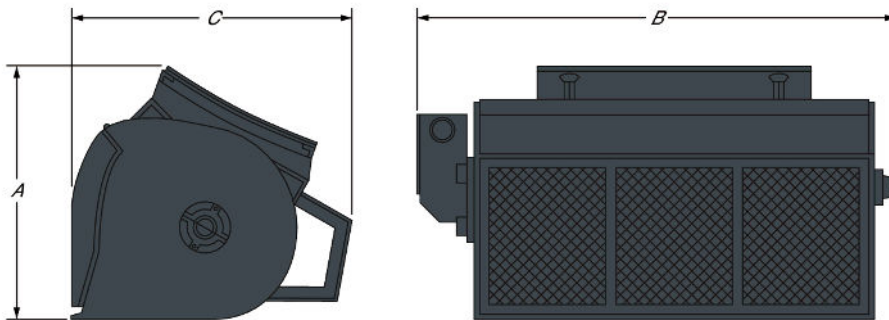


## Description

This rugged, cost-effective attachment lets you mix, transport and pour concrete much more quickly than a stand-alone mixer. Its compact size makes it ideal for sidewalks, driveways, finish work, footings and floors of small buildings and hard-to-reach or limited-access areas.

## Dimensions



Description	Item number	Overall length (A) (mm)	Overall width (B) (mm)	Overall height (C) (mm)
Mixing Bucket MB250SD BT	7185472	807.0	1500.0	859.0

## Weights

Description	Item number	Operating weight (kg)	Shipping weight (kg)
Mixing Bucket MB250SD BT	7185472	370.0	370.0

## Characteristics and performance

Description	Item number	Capacity (SAE heaped) (L)	Flow range (L/min)	Hydraulic pressure (bar)
Mixing Bucket MB250SD BT	7185472	250.0	45.0-75.0	-

## Main features

- Dual discharge.
- Mix and dump functions are fingertip controlled.
- Mix while driving.

## Loader Compatibility

Description	Item number	Compatible with loader	Functional requirements
Mixing Bucket MB250SD BT	7185472	A770-B, T590E IIIB, T590B iT4, T650E iT4, T650B iT4, T770E IV, T770E T3, T770B T3, T870E IV, T870B T3, S530E IIIA, S530B, S550E IIIB, S550B iT4, S570B iT4, S590E IIIB, S590B iT4, S630E iT4, S630B iT4, S770E IV, S770E T3, S770B T3, S850E IV, S850E T3, S850B T3, A770E IV, S530E V, T590E V, S66, S76, T66, T76, S530B, S630B iT4, S650B iT4	-

## Applications

- Construction and Demolition
- Road work, Recycling and Cleaning

# BE OM **EN OFFERT**

Klicka bara på **knappen** eller skanna **QR-koden** nedan för åtkomst till vårt offertformulär.

Vi kontaktar dig så snart som möjligt. Tack!



**BEGÄR OFFERT**

