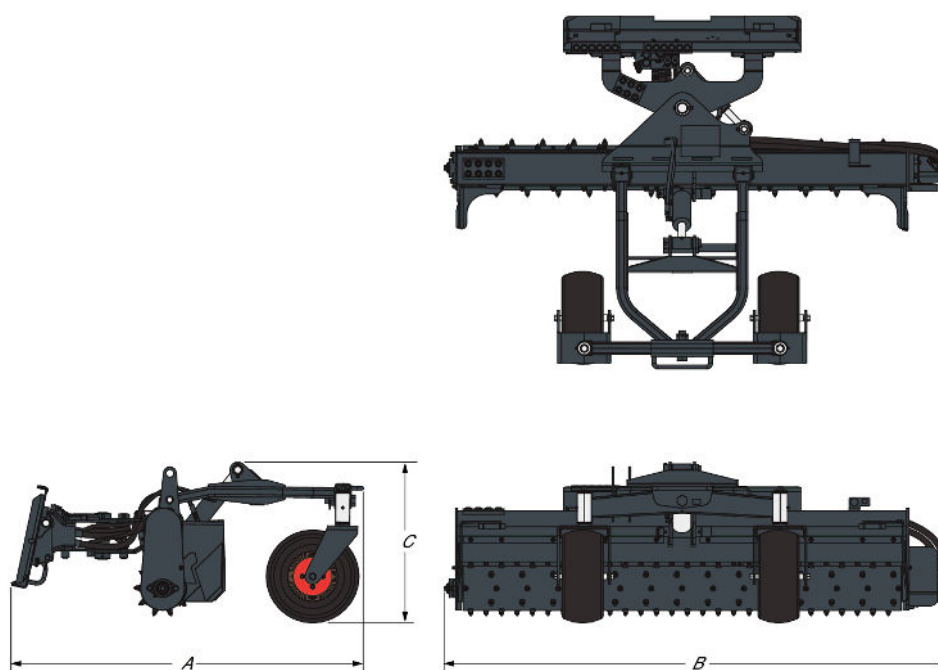


Description

The Bobcat Soil Conditioner is a “must have” versatile tool, saving you time and labour when smoothing ruts, moving material or levelling mounds of earth. It produces a perfect bed for seeding or laying grass turf. Prepare the land and lay a good foundation with the soil conditioner attachment. The rotating drum is equipped with carbide-tipped teeth, which rip through clumps of dirt and penetrate the soil. To level and grade a surface, lock the drum for a box blade effect. Or place the drum in the float position to prepare the soil while following the contours of the terrain. The soil conditioner is a versatile, cost-effective attachment. No landscaping crew should be without it! You can pulverise soil, while levelling and filling, in fewer passes with the soil conditioner attachment.

Dimensions



| Description | Item number | Overall length (A) (mm) | Overall width (B) (mm) | Overall height (C) (mm) |
|---|-------------|-------------------------|------------------------|-------------------------|
| Soil Conditioner 122 cm Manual | 6958310 | 1471.0 | 1540.0 | 688.0 |
| Soil Conditioner 183 cm Hydraulic | 7135945 | 1725.0 | 2189.0 | 761.0 |
| Soil Conditioner 183 cm Hydraulic High Flow | 7135944 | 1725.0 | 2189.0 | 761.0 |
| Soil Conditioner 214 cm Hydraulic | 7135946 | 1725.0 | 2495.0 | 755.0 |
| Soil Conditioner 214 cm Hydraulic High Flow | 7135947 | 1725.0 | 2495.0 | 755.0 |

Weights

| Description | Item number | Operating weight (kg) | Shipping weight (kg) |
|---|-------------|-----------------------|----------------------|
| Soil Conditioner 122 cm Manual | 6958310 | 288.0 | 288.0 |
| Soil Conditioner 183 cm Hydraulic | 7135945 | 567.0 | 567.0 |
| Soil Conditioner 183 cm Hydraulic High Flow | 7135944 | 567.0 | 567.0 |
| Soil Conditioner 214 cm Hydraulic | 7135946 | 587.0 | 587.0 |
| Soil Conditioner 214 cm Hydraulic High Flow | 7135947 | 587.0 | 587.0 |

Characteristics and Performance

| Description | Item number | Working width (mm) | Degree of Angle \pm (°) | Number of teeth | Required hydraulic flow (L/min) | Angle adjustment | Working width fully angled (mm) | Depth adjustment | Tires |
|---|-------------|--------------------|---------------------------|-----------------|---------------------------------|------------------|---------------------------------|------------------|-------------|
| Soil Conditioner 122 cm Manual | 6958310 | 1220.0 | 25.0 | 81 | 38.0-68.0 | Manual | 1160.0 | Manual | Pneumatic |
| Soil Conditioner 183 cm Hydraulic | 7135945 | 1829.0 | 25.0 | 121 | 49.0-140.0 | Hydraulic | 1651.0 | Hydraulic | Foam-filled |
| Soil Conditioner 183 cm Hydraulic High Flow | 7135944 | 1829.0 | 25.0 | 121 | 95.0-140.0 | Hydraulic | 1651.0 | Hydraulic | Foam-filled |
| Soil Conditioner 214 cm Hydraulic | 7135946 | 2134.0 | 25.0 | 141 | 68.0-140.0 | Hydraulic | 1930.0 | Hydraulic | Foam-filled |
| Soil Conditioner 214 cm Hydraulic High Flow | 7135947 | 2140.0 | 25.0 | 141 | 113.0-140.0 | Hydraulic | 1930.0 | Hydraulic | Foam-filled |

Main features

- Produces a perfect bed for seeding or sodding.
- Windrows and separates rocks and other debris.
- Grades and levels topsoil.
- Tears out old sod.
- Pulverizes dirt clumps.
- Forward and reverse raking action.
- Roller bar follows ground contours perfectly.
- Flip-up front bolster lets you get close to buildings and saves space during transport.
- Direct-drive motor eliminates chain and sprocket problems.
- Attachable end plates for box-blade effect.

Applications

- Agriculture

- Landscaping

Loader Compatibility

| Description | Item number | Compatible with loader | Functional requirements |
|---|-------------|--|-------------------------|
| Soil Conditioner 122 cm Manual | 6958310 | T110-B, MT55E, S100E, S70E, L28, L23 | - |
| Soil Conditioner 183 cm Hydraulic | 7135945 | A770-B, T450E IIIB, T590E IIIB, T590B iT4, T650E iT4, T650B iT4, T770E IV, T770E T3, T770B T3, S450E IIIA, S450B T2, S510E IIIA, S510B, S530E IIIA, S530B, S550E IIIB, S550B iT4, S570B iT4, S590E IIIB, S590B iT4, S630E iT4, S630B iT4, S770E IV, S770E T3, S770B T3, A770E IV, S450 V, S510E V, S530E V, T590E V, T450E V, S66, S76, T66, T76, S510B, S530B, S550E V, S590E V, S630B iT4, S650B iT4 | - |
| Soil Conditioner 183 cm Hydraulic High Flow | 7135944 | A770-B, T590E IIIB, T590B iT4, T650E iT4, T650B iT4, T770E IV, T770E T3, T770B T3, S530E IIIA, S530B, S550E IIIB, S550B iT4, S570B iT4, S590E IIIB, S590B iT4, S630E iT4, S630B iT4, S770E IV, S770E T3, S770B T3, A770E IV, S530E V, T590E V, S66, S76, T66, T76, S530B, S630B iT4, S650B iT4 | - |
| Soil Conditioner 214 cm Hydraulic | 7135946 | A770-B, T590E IIIB, T590B iT4, T650E iT4, T650B iT4, T770E IV, T770E T3, T770B T3, T870E IV, T870B T3, S510E IIIA, S510B, S530E IIIA, S530B, S550E IIIB, S550B iT4, S570B iT4, S590E IIIB, S590B iT4, S630E iT4, S630B iT4, S770E IV, S770E T3, S770B T3, S850E IV, S850E T3, S850B T3, A770E IV, S510E V, S530E V, T590E V, S66, S76, T66, T76, S510B, S530B, S550E V, S590E V, S630B iT4, S650B iT4 | - |
| Soil Conditioner 214 cm Hydraulic High Flow | 7135947 | A770-B, T650E iT4, T650B iT4, T770E IV, T770E T3, T770B T3, T870E IV, T870B T3, S630E iT4, S630B iT4, S770E IV, S770E T3, S770B T3, S850E IV, S850E T3, S850B T3, A770E IV, S76, T76, S630B iT4, S650B iT4 | - |

BE OM EN OFFERT

Klicka bara på **knappen** eller skanna **QR-koden** nedan för åtkomst till vårt offertformulär.

Vi kontaktar dig så snart som möjligt. Tack!



BEGÄR OFFERT

