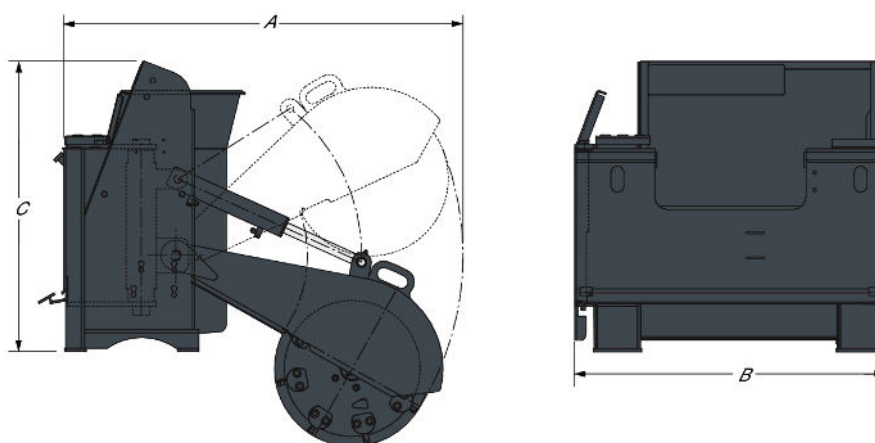


## Description

Grind tree stumps into mulch with the powerful action of the Bobcat® stump grinder attachment. Designed for maximum operating capability, the stump grinder mounts directly to the front of the loader for easy manoeuvring in tight areas and positioning exactly where the grinding action is needed. It is mounted at a 90-degree angle to the operator, giving the operator better visibility of the cutting area and the same wide view as with any pull-behind grinder. The stump grinder is the ideal attachment for landscaping contractors, homeowners with land, campus facilities, municipalities, and rental contractors. Stumps are eliminated even more quickly when used with Bobcat machines equipped with high flow hydraulics.

## Dimensions



Description	Item number	Overall length (A) (mm)	Overall width (B) (mm)	Overall height (C) (mm)
Stump Grinder SG30	7100641	1175.0	914.0	851.0
Stump Grinder SG60	6808034	2012.0	1670.0	1509.0
Stump Grinder SGX60 High Flow	7112201	2012.0	1676.0	1509.0

## Weights

Description	Item number	Operating weight (kg)	Shipping weight (kg)
Stump Grinder SG30	7100641	171.0	171.0
Stump Grinder SG60	6808034	445.0	445.0
Stump Grinder SGX60 High Flow	7112201	451.0	451.0

## Characteristics and performance

Description	Item number	Max cutting height (mm) (mm)	Max cutting depth (mm)	Max cutting angle (°)	Grinder reach at ground level (mm)	Wheel diameter (mm)	Number of teeth	Required flow (l/min) (L/min)
Stump Grinder SG30	7100641	279.0	279.0	90.0	1175.0	457.0	16	38.0-53.0
Stump Grinder SG60	6808034	806.0	381.0	80.0	1880.0	686.0	32	64.0-121.0
Stump Grinder SGX60 High Flow	7112201	806.0	381.0	80.0	1880.0	686.0	32	95.0-151.0

## Main features

- The work group is mounted at an angle of 90 degrees to the operator for excellent visibility to the cutting area, giving the operator the same wide view as a pull-behind stump grinder.
- The swing cylinder design generates an impressive arc. This allows the operator to cut large stumps without repositioning.
- Rubber deflector shields and screening provide additional operator comfort and protection from wood chips.
- The unique valve design controls the swing circuit speed to prevent the cutting wheel from stalling in the cut.
- Diverse cutting heights gives better access for a variety of size stumps.

## Applications

- Agriculture
- Forestry
- Landscaping

## Loader Compatibility

Description	Item number	Compatible with loader	Functional requirements
Stump Grinder SG30	7100641	MT55E, S70E, L28, L23	-
Stump Grinder SG60	6808034	A770-B, T590E IIIB, T590B iT4, T650E iT4, T650B iT4, T770E IV, T770E T3, T770B T3, T870E IV, T870B T3, S510E IIIA, S510B, S530E IIIA, S530B, S550E IIIB, S550B iT4, S570B iT4, S590E IIIB, S590B iT4, S630E iT4, S630B iT4, S770E IV, S770E T3, S770B T3, S850E IV, S850E T3, S850B T3, A770E IV, S510E V, S530E V, T590E V, S66, S76, T66, T76, S510B, S530B, S550E V, S590E V, S630B iT4, S650B iT4	-

Description	Item number	Compatible with loader	Functional requirements
Stump Grinder SGX60 High Flow	7112201	A770-B, T590E IIIB, T590B iT4, T650E iT4, T650B iT4, T770E IV, T770E T3, T770B T3, T870E IV, T870B T3, S530E IIIA, S530B, S550E IIIB, S550B iT4, S570B iT4, S590E IIIB, S590B iT4, S630E iT4, S630B iT4, S770E IV, S770E T3, S770B T3, S850E IV, S850E T3, S850B T3, A770E IV, S530E V, T590E V, S66, S76, T66, T76, S530B, S630B iT4, S650B iT4	-

# BE OM **EN OFFERT**

Klicka bara på **knappen** eller skanna **QR-koden** nedan för åtkomst till vårt offertformulär.

Vi kontaktar dig så snart som möjligt. Tack!



**BEGÄR OFFERT**

