



Bobcat[®]

One Tough Animal.

COMPACT EXCAVATOR

E88

0-1t | 1-2t | 2-3t | 3-4t | 4-6t | 6-10t

🌐 Europe



INTRODUCTION

ONE TOUGH ANIMAL



BOBCAT'S HISTORY

In 1958, Melroe Manufacturing Company introduced a compact front-end loader that evolved quickly into the M400, the world's first true skid steer loader. The company soon adopted what became the world-famous 'Bobcat' brand – and its success paved the way for the global compact equipment industry we know today.

INNOVATION CENTRE IN DOBŘIŠ

New technologies and machines are rigorously tested to take on the toughest jobs.



BOBCAT TODAY

Since developing Mini-Excavators with Zero-House Swing functionality in 1984, Bobcat has continued to innovate. Today, our equipment is known for providing all the power you need, where you need it, without extra hassle.



OUR MISSION

We empower operators to accomplish more, while working in the toughest conditions and tightest situations. When our customers have the will, we provide the way.

TAKE ON JOBS OF ANY SIZE

► READY FOR EVERY CHALLENGE

With a combination of superior stability and performance, excellent ergonomics down to every little detail, and Bobcat's signature reliability, the compact and transportable E88 is ready for anything you throw at it. Thanks to versatile hydraulics and easy maintenance, this excavator will be a great asset to your arsenal.



Up to 5 AUX lines to control the most advanced attachments

Boom & arm safety valves and Overload warning device

Selection of factory-installed coupler systems

LED light

Robust and well-protected workgroup

Optional auto A/C and standard A/C

Battery disconnect button accessible from outside

Upper-structure and undercarriage tie-downs for easy transportation

Self-cleaning blade design with floating feature

Infotainment with hands-free Bluetooth technology

Auto-shut-down LED work lights

ROPS/FOPS Level 1 certified cab

Full control of your surroundings – thanks to great visibility through the larger glass area and excellent ergonomics

All day comfort cab with ample space for operator

Heated seat with head rest

Large opening and closing covers for easy access to all maintenance checks and service points

Heavy-duty covers

Latest environmentally-friendly Stage V technology engine with Auto Idle

Wide step and 3D handle for easy entrance and exit

Heavy-duty steel side channels

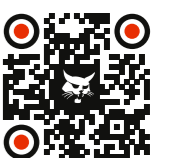
2-speed travel motors with autoshift

Electric fuel refill pump with auto shut down

Extended track length for stability and higher lift capacity

Dual flange rollers and interlocking tracks for smooth ride

► SCAN ME



Watch the E88's walkaround



► ALL-DAY COMFORT

Thanks to E88's automatic air-conditioning, a premium seat with a headrest, and the low-effort joystick.

P.8



► ROCK SOLID, ROCK STEADY

Take on any job with confidence-inspiring stability and balance – even with the heaviest attachments.

P.5



► LEGENDARY PRODUCTIVITY

Get more done with less effort. The E88 is designed to give you as much power as you need, exactly when you need it.

P.5



► TRUE MULTI-TOOL

With up to 5 AUX lines and A-SAC, you're ready to take the full advantage of Bobcat's extensive range of attachments.

P.14

PERFORMANCE

▶ BOBCAT'S PRODUCTIVITY

Equipped with a mighty engine and a powerful high flow option, Bobcat's compact excavator features high breakout forces paired with solid stability. Do more, get better results, and grow your business.

▶ DEPENDABLE ENGINE

Time-proven Bobcat D24 engine – used in thousands of Bobcat machines worldwide – now in a new Stage V compliant version with improved performance characteristics.



POWER WHERE YOU NEED IT

▶ SMOOTH OPERATION

Low effort joysticks coupled with the new generation control valve make the workgroup feel like the extension of the operator's arm. Improved metering and dual slope control curve have been developed for operators of all skills and experiences.

▶ RIGHT TOOL FOR THE JOB

Professionals know the value of matching their equipment to the work at hand. Bobcat's lineup includes a range of options to meet the needs of every job. While conventional models feature low overhang over the track profile, Zero House Swing models eliminate overhang altogether.



STEP INSIDE



▶ ALL-DAY COMFORT

Focus on the job at hand and let the E88's spacious cab keep you comfortable – thanks to automatic air-conditioning, a premium seat with a headrest, and the low-effort joystick (adjustable independently from the seat).



Get to work right away thanks to the logically laid-out controls and LCD.

▶ TOUCH CONTROLS



Optional 7-inch touch screen with Bluetooth, hands-free calling and media streaming. Automatically switching to Dark Mode in low light.

▶ FULLY AIR CONDITIONED



The E88 is equipped with powerful air conditioning that quickly cools down the entire cab, even on the hottest days.

▶ KEEPING WATCH



Large windows, powerful and well positioned LEDs and an optional rear view camera provide outstanding visibility.



BUILT TOUGH

► BUILT TO LAST

Bobcat's battle-proven, reliable components form the blueprint for a dependable machine. From the robust and well-protected workgroup with cast parts, to the cab, joysticks and engine, this is quality you can feel in both operation and maintenance.

► DO IT YOURSELF

Thanks to accessible and cleverly positioned service points and large covers, you can take care of everyday maintenance, and even small repairs, without leaving the job site.



Easy servicing thanks to large covers



► MACHINE IQ

BOBCAT® Machine IQ Wireless Communications enhances the support for your Bobcat machine.

- Durable built-in monitoring electronics
- Data is available to our machine monitoring specialist
- Maintenance is optimized for your business
- Data-driven services maximize uptime

► STANDARD WARRANTY

Bobcat Company develops every machine to the highest standards of quality and durability. That's why our standard warranty provides 24 months or 2000 operating hours (whichever occurs first) of coverage.



Despite its impressive power, you can load the E88 on a standard hook lifter container truck

THERE'S NO TIME FOR DOWNTIME. STAND UP TO THE HARSHTEST CONDITIONS. DAY AFTER DAY.



Changing filters



► PROTECTION PLUS EXTENDED WARRANTY

Enjoy total peace of mind with a Protection Plus® extended warranty. Providing the same level of protection as the standard warranty, Protection Plus also reflects different customer needs and expectations by offering a choice of durations and annual operating hours. According to your needs, you can benefit from the coverage for up to 5 years or 6000 engine hours. And Protection Plus is transferrable – so it will likely increase your machine's resale value.



► BOBCARE

A long-running machine starts with proper planned maintenance. And it helps protect against repair costs and unplanned failures when you're counting on your machine to work.

- Avoid risk by preventing major repairs and complete failures.
- Accomplish more by reducing downtime and increasing your productivity and profitability.

MULTI-TOOL CARRIER

BOBCAT ATTACHMENTS

Get more versatility and efficiency with Bobcat® attachments and implements.

- The largest choice of attachments in the industry
- Match performance to your Bobcat machine
- Work harder with stronger components and construction.
- Rest easy with the 12-month warranty on every genuine Bobcat attachment.

ATTACHMENTS

General

- Augers
- Breakers
- Flail mowers
- Hydraulic clamp
- Laser equipment
- Plate compactor
- Rotary grinder

Buckets

- Clay spade buckets
- Digging buckets
- Grading buckets
- Skeleton buckets
- Tilt buckets

Couplers

- Bobcat hydraulic pin grabber
- Bobcat mechanical pin grabber
- Hydraulic coupler (QC08)
- Hydraulic coupler (TC08) with tilt function
- Mechanical coupler (QC08)
- Mechanical coupler (TC08) with tilt function
- Klac coupler model F



Auger



Hydraulic Clamp



Plate compactor



Tilt bucket



Breaker

VERSATILITY

Up to 5 independent hydraulic auxiliary circuits:

- AUX1 – general purpose
- AUX2 – supporting functions (rotation)
- AUX3 – clam shell bucket (bucket diverter)
- AUX4 – tilting coupler control
- AUX5 – hydraulic coupler control

'Selectable Auxiliary Control' SAC) system allows for control pattern customisation and optimal attachment fit (Integral part of AUX4 option).



Actual attachment compatibility may vary based on different machine configurations. Contact your dealer for actual attachment compatibility.

STANDARD EQUIPMENT & OPTIONS

SPECIFICATIONS

	STD/OPT
PERFORMANCE	
2200 mm dozer blade	✓
2nd Auxiliary hydraulics	•
Add-on counterweight	•
Add-on counterweight kit	•
Adjustable double acting auxiliary hydraulic (AUX1) with QC on ARM	✓
Auto idle	✓
Blade float feature	✓
Clam shell bucket (AUX3) kit	•
Clamp ready	✓
Clamp with AUX1 valve kit	•
Depth Check Kit	•
Dual Direction Detent	✓
Engine/hydraulic monitor with shutdown	✓
Hydraulic coupler lines (AUX5)	✓
Long dipperstick	•
Proportional fingertip auxiliary and boom swing offset hydraulic control	✓
Selectable auxiliary hydraulic flow	✓
Tilt coupler lines (AUX4)	•
Two-speed travel with Auto Shift	✓
CAB	
5" screen	✓
7" touch screen	•
Air conditioning (Cab with HVAC)	✓
AM/FM MP3 stereo radio with Bluetooth	•
Control console locks	✓
Cupholders	✓
Deluxe textile suspension seat with head rest	✓
FOGS kit (Overhead guard)	•
Heated Deluxe textile suspension seat with head rest	•
Horn	✓
Hydraulic joystick controls	✓
Keyless ignition Deluxe	•
Keyless ignition kit	•
One-piece ergonomic pedals	✓
Rear view camera kit	•
Retractable seat belt	✓
Special applications kit (Front windscreen protection)	•
Storage compartment	✓
Tool box	✓
LIGHTS & BEACON	
Beacon kit	•
LED Work lights front	✓
Rear LED light Kit	•

✓ = standard • = option

PERSONALISE YOUR MACHINE

Sometimes, we all want to add a specific functionality or a personal touch to the machine. Choose from a list of comprehensive options and customise your Mini-Excavator to your heart's content!



450 mm rubber track

7" touch screen with Depth Check

Standard or long dipperstick



AM/FM MP3 Bluetooth radio

LED lights & beacon

Deluxe textile suspension seat



Dual flanged rollers

Fuel refill pump

Storage compartment and cup holders

SPECIFICATIONS

	STD/OPT
MISCELLANEOUS	
Battery disconnect switch	✓
Blade load holding valve	•
Boom & arm safety valves with overload warning	✓
Case drain line kit	•
Direct to Tank kit	•
Dual flanged rollers	✓
Fuel refill pump with auto shut-off	✓
Full fuel warning alarm	✓
Travel motion alarm	•
Upper structure tie down	✓
Warranty: 24 months, 2000 hours (whichever occurs first)	✓
TRACKS	
450 mm segmented tracks kit	•
450 mm steel tracks	•
450 mm rubber track	✓

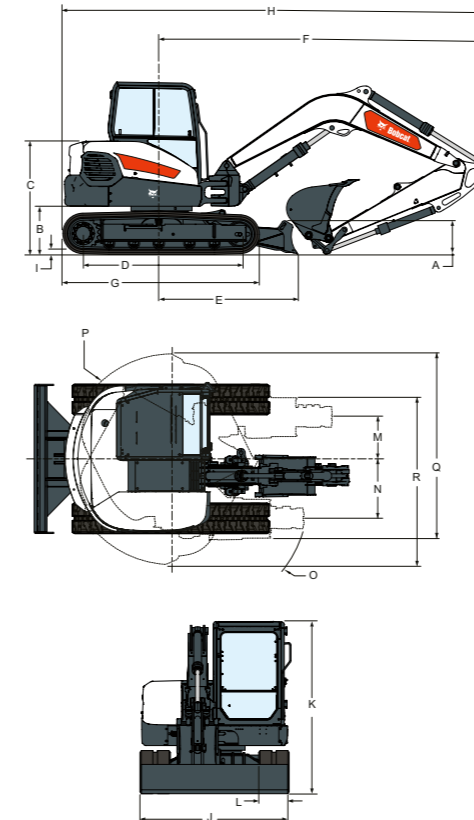
SPECIFICATIONS

SPECIFICATIONS	
	E88
WEIGHTS	
Operating weight with ROPS HVAC cab, rubber tracks, counterweight, standard bucket 600 mm (223 kg) (SAE J732)	8919 kg
Additional weight for steel tracks	16 kg
Additional weight for segmented tracks	74 kg
Additional weight for long dipperstick	37 kg
Additional weight for counter weight	407 kg
Ground pressure with rubber tracks	39.2 kPa
ENGINE	
Make / model	Bobcat D24 - 2.4L, 97/68 EC Stage V, Turbocharged
Fuel	Ultra Low Sulfur Diesel
Number of cylinders	4
Displacement	2392 cm ³
Maximum NET power (ISO 9249)	48.5 kW
Maximum NET torque (ISO 9249)	248.0 Nm
HYDRAULIC SYSTEM	
Auxiliary (AUX1) flow	95 l/min
Auxiliary (AUX2) flow	62 l/min
Pump capacity	149 l/min
Pump type	Engine driven, variable displacement piston pump with pressure-compensating, load-sensing, and torque-limiter control
System relief pressure for auxiliary circuits	210 bar
System relief pressure for implement circuits	295 bar
PERFORMANCE	
Digging force, dipperstick (ISO 6015)	39073 N
Digging force, long dipperstick (ISO 6015)	35315 N
Digging force, bucket (ISO 6015)	55582 N
Travel speed, low range	2.5 km/h
Travel speed, high range	4.4 km/h
SLEW SYSTEM	
Boom swing, left	64.0°
Boom swing, right	61.0°
Slew rate	9 RPM
FLUID CAPACITIES	
Cooling system	9.5 l
Engine lubrication plus oil filter	9.8 l
Fuel reservoir	116 l
Hydraulic reservoir	21.4 l
Hydraulic system	81.4 l
ENVIRONMENTAL	
Noise level LpA(EU Directive 2006/42/EC)	77 dB(A)
Noise level LWA(EU Directive 2000/14/EC)	96 dB(A)
Whole body vibration (ISO 2631-1)	0.2 ms ⁻²
Hand-arm vibration (ISO 5349-1)	0.41 ms ⁻²

Certain specification(s) are based on engineering calculations and are not actual measurements. Specification(s) are provided for comparison purposes only and are subject to change without notice. Specification(s) for your individual Bobcat equipment will vary based on normal variations in design, manufacturing, operating conditions, and other factors. Pictures of Bobcat units may show other than standard equipment.

SPECIFICATIONS

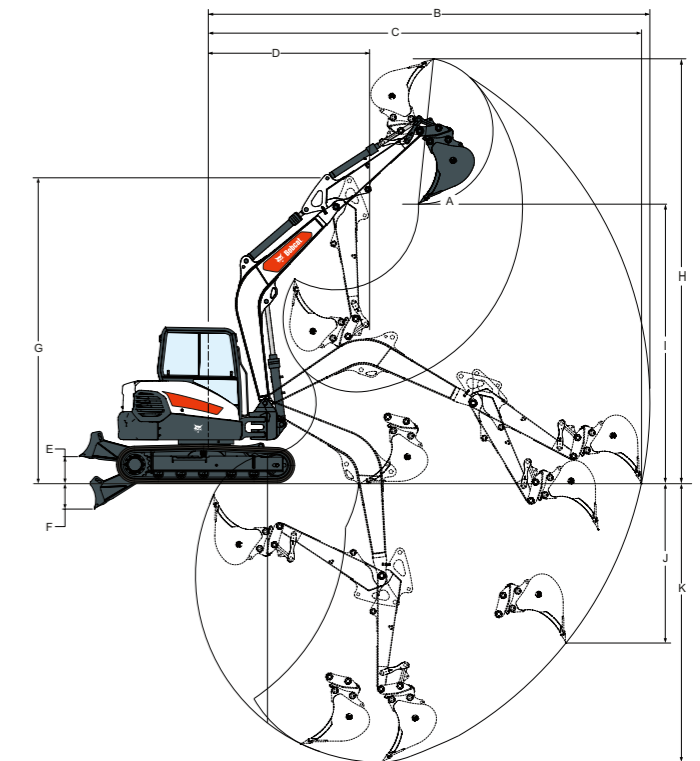
DIMENSIONS



DIMENSIONS		WORKING AREA	
A	462	A	170°
B	710	B	7 225
C	1666	B*	7 549
D	2311	C	7 087
E	2009	C*	7 418
F	4872	D	2 659
G	2896	D*	2 964
H	6329	E	479
H*	6341	F	410
I	30	G	4 983
J	2200	H	6 887
K	2540	H*	7 115
L	450	I	4 537
M	622	I*	4 765
N	907	J	2 587
O	2202	J*	2 883
		K	4 519
		K*	4 859

Unit: mm

WORKING AREA



FINANCING OPTIONS

24, 36, OR 48 MONTH FINANCING*

Take advantage of 24, 36 or 48 month financing programs starting from **0% interest** and improve your cashflow. Ask your dealer for the financing offers available.

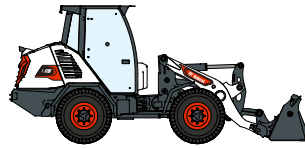
100 MACHINES / 150 ATTACHMENT FAMILIES / 1 TOUGH ANIMAL



**SKID STEER
LOADERS**



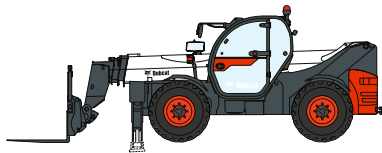
**COMPACT TRACK
LOADERS**



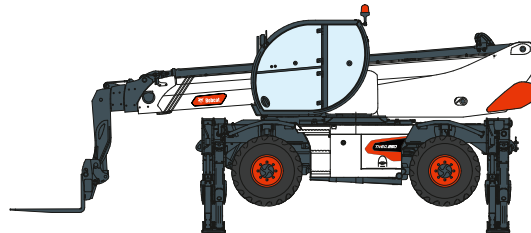
**COMPACT WHEEL
LOADERS**



**SMALL ARTICULATED
LOADERS**



TELEHANDLERS



**ROTARY TELESCOPIC
HANDLERS**



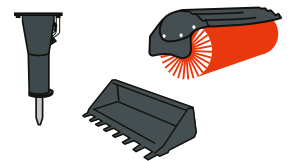
**LIGHT COMPACTION
EQUIPMENT**



**MINI TRACK
LOADER**



COMPACT EXCAVATORS



ATTACHMENTS



www.bobcat.com

Bobcat is a Doosan Company. Doosan is a global leader in construction equipment, power & water solutions, engines, and engineering proudly serving customers and communities for more than a century. | Bobcat and the Bobcat logo are registered trademarks of Bobcat Company in the United States and various other countries. ©2021 Bobcat Company. All Rights Reserved.

©2021 BOBCAT B4501892-EN (08-21)



Bobcat®

*Financing options may vary by country and dealer. Always ask your dealer about currently available financing options. Terms and conditions may apply.

Doosan Bobcat EMEA, U Kodelky 1810, 263 12 Dobříš, Czech Republic

