



Bobcat[®]

One Tough Animal.

COMPACT TRACTORS

🌐 Europe



INTRODUCTION

ONE TOUGH ANIMAL



BOBCAT'S HISTORY

In 1958, Melroe Manufacturing Company introduced a compact front-end loader that evolved quickly into the M400, the world's first true skid steer loader. The company soon adopted what became the world-famous 'Bobcat' brand – and its success paved the way for the global compact equipment industry we know today.

YEARS OF EXPERIENCE

More than 15 years ago, Bobcat ventured into the Compact Tractors segment for the first time – since then, we've been providing customers with reliable and versatile machines that embody the true Bobcat DNA.



BOBCAT TODAY

Inspired by success in the North American market, we introduced our new line of Compact Tractors in Europe to help customers meet new challenges and expand their business backed by reliable and tough equipment.



OUR MISSION

We empower operators to accomplish more, while working in the toughest conditions and tightest situations. When our customers have the will, we provide the way.

TOUGH, VERSATILE & RELIABLE

► DESIGNED TO DO MORE

Our Compact Tractors represent a step up in productivity, versatility and reliability. Whatever your application, these machines help you get the job done efficiently – thanks to their robust construction, smooth operation, flexible configuration, and full compatibility with a wide range of attachments.



Foldable ROPS structure protects the operator

Powerful engines ranging from 25 to 58 HP that meet the latest EU Stage V emissions standard

Quick Attach Mounting System with Ball, Telescopic and Quick Lower Links makes mounting and removing attachments quick and easy

Rear hydraulics for more attachment versatility

Industrial, Agriculture or Turf tires for maximum efficiency and minimum ground disturbance

Mid & Rear PTO for attaching a variety of attachments **P. 16-17**



Front and Rear working lights for the best working conditions

Rear view mirrors come as standard across all platforms

1-piece engine hood for easy access to all service points

Spacious cab provides maximum visibility and comfort

Bob-Tach™ on Front End Loader allows unmatched versatility and a quick change of attachments

Choice of different types of transmissions: Hydrostatic, Manual, and Manual H-Shuttle

Easy access provided by durable steps and well-placed handles



► **PROVEN QUALITY, RELIABLE OPERATION**
High manufacturing standards and extensive testing in the US market make Bobcat's Compact Tractors reliable machines that will never let you down.



► **FEATURE PACKED**
With many quality-of-life features – such as auto-PTO, PTO Cruise (35 HP models and up), and HST Cruise or Draft control (CT40) – productivity and uptime are guaranteed.



► **SUPREMELY COMFORTABLE**
Enjoy all-day comfort in the cleverly designed workspace featuring intuitive and ergonomic controls that allow you to fully focus on the job at hand. **P. 8**



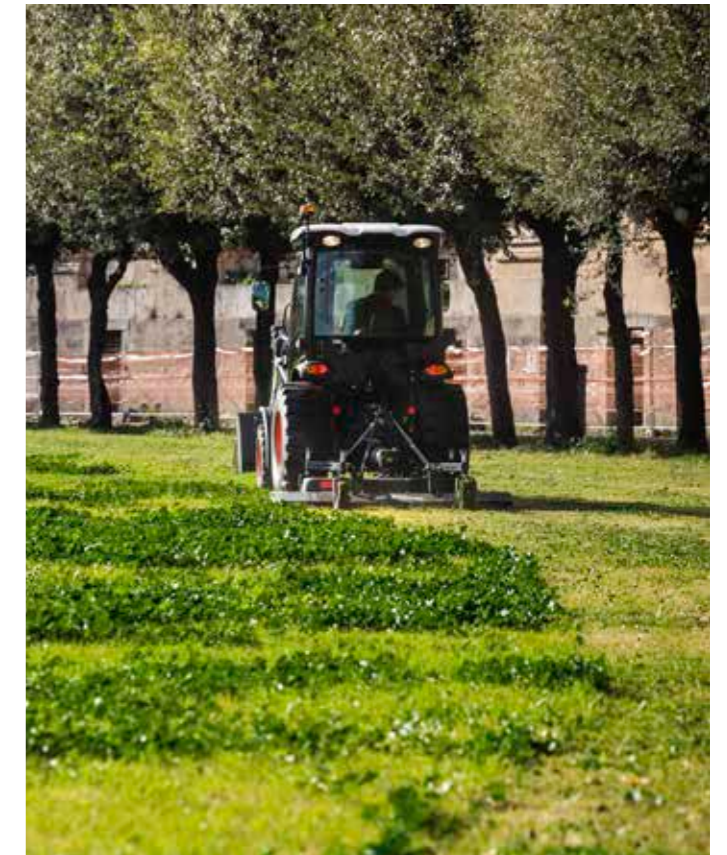
► **ATTACHMENT-FRIENDLY**
Our Compact Tractor line-up is designed for compatibility and efficiency with Bobcat's range of attachments, so you can always get the job done with maximum productivity and minimum downtime. **P. 16-17**

PERFORMANCE



WORK ANYWHERE

With compact dimensions and a smooth transmission, you can move in tight spaces quickly and efficiently without worrying about your surroundings.



EFFICIENT OPERATION

Keep fuel consumption at a minimum thanks to the efficient 3-cylinder motor and an Economy Rear PTO 540E. The Stage V engines with low cost of ownership and ease of maintenance meet EU regulations for years to come.



POWERFUL COMPANION

With powerful hydraulics and the Bob-Tach™ interface, you can utilize a number of attachments and work hard with ease.



SHIFT INTO THE NEXT GEAR

Bobcat's Compact Tractors offer various transmission options. Whether you choose the hydrostatic transmission, manual transmission, or the manual H-shuttle transmission, driving is always smooth and effective with intuitive controls.

STEP INSIDE



▶ MAXIMUM COMFORT & CONTROL IN A COMPACT PACKAGE

The new Bobcat Compact Tractors' cab and ROPS options provide excellent comfort and maximum visibility. Combined with the easy to access and precisely laid-out controls, your machine is a workplace you never want to leave!



▶ STEERING WHEEL & DASHBOARD



Adjustable steering wheel and well-arranged dashboard provide excellent comfort for all-day work.

▶ EASY-TO-REACH CONTROLS



With all the controls laid out visibly and ergonomically, you handle navigation on any job site with ease.

▶ EASY ACCESS



With the help of the well-placed handles and robust step, you hop into your machine quickly and get to work without any hassle.



BUILT TO LAST

▶ RELIABLE SERVICE

Daily maintenance is simple thanks to the 1-piece engine cover. Bobcat's extensive dealer network and proven supply chain means that you can count on a one-stop-shop for expert advice, timely service, and parts availability for both machines and attachments.



THERE'S NO TIME FOR DOWNTIME. STAND UP TO THE HARSHTEST CONDITIONS. DAY AFTER DAY.

2 YEAR WARRANTY

▶ STANDARD WARRANTY

Bobcat develops every machine to the highest standards of quality and durability. That's why our standard warranty provides 24 months or 2 000 operating hours (whichever occurs first) of coverage.



▶ PROTECTION PLUS EXTENDED WARRANTY

Enjoy total peace of mind with a Protection Plus® extended warranty. Providing the same level of protection as the standard warranty, Protection Plus also reflects different customer needs and expectations by offering a choice of durations and annual operating hours. According to your needs, you can benefit from the coverage for up to 5 years or 3 000 engine hours. And Protection Plus is transferrable – so it will likely increase your machine's resale value.



▶ BOBCARE PM

A long-running machine starts with proper planned maintenance. Which also helps protect against repair costs and unplanned failures when you're counting on your machine to work.

- Avoid risk by preventing major repairs and complete failures.
- Accomplish more by reducing downtime and increasing your productivity and profitability.



CHOOSE YOUR ANIMAL

1000 PLATFORM

► COMPACT MACHINE WITH ENDLESS POSSIBILITIES

The 1000 Platform features the CT1025 model which is the ultimate machine for job sites where space is limited. Equipped with ROPS and a 25 HP engine, this machine provides excellent visibility and agility that can be utilized in multiple applications – from turf maintenance to material handling and towing.



2000 PLATFORM

► STAY COMFORTABLE WHILE GETTING THE JOB DONE

The 2000 Platform features 6 models that can be equipped with ROPS or Cab so you can stay comfortable while working in any weather. With the engine power ranging from 25 to 40 HP, and Economy PTO 540E and Manual and HST Transmission options available, you will be most effective whether your job is landscaping, material handling or road maintenance.



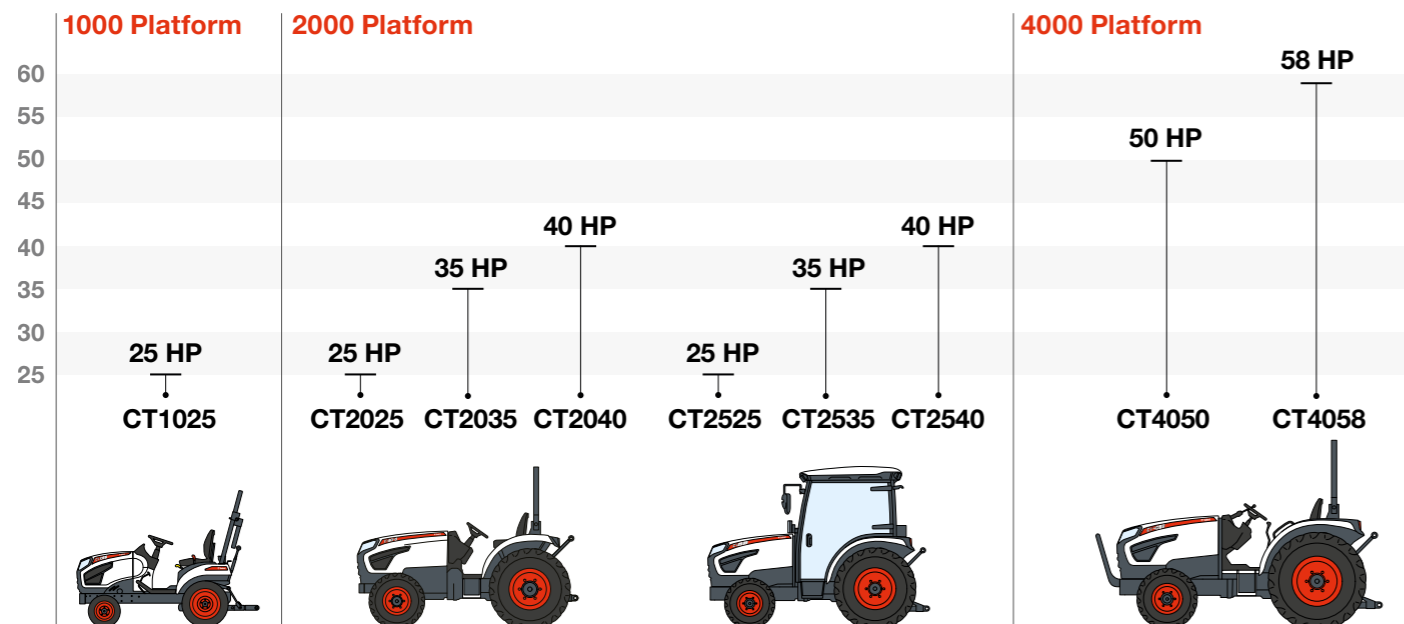
4000 PLATFORM

► MAXIMUM POWER AND VERSATILITY

With engine power ranging from 50 to 58 HP, the 4000 Platform Compact Tractors can handle anything. Whether you need to perform landscaping jobs or stock your barn, the vast portfolio of attachments meet every challenge.



Horsepower



STANDARD EQUIPMENT & OPTIONS

	1000 (ROPS)	2000 (ROPS)	2000 (CAB)	4000 (ROPS)
PERFORMANCE				
Rear PTO, independent	✓	✓	✓	✓
PTO cover	✓	✓	✓	✓
Stationary PTO	–	✓	✓	✓
Auto PTO	–	✓	✓	✓
Draft control	–	–	–	✓
Mid PTO	✓	✓ ¹	✓	–
Rear remote hydraulics, 1 pair (2 port)	✓	✓	–	–
Rear remote hydraulics, 2 pair (4 port)	–	•	✓	✓
Lower link – telescope	–	✓ ²	✓	–
Lower link – ball	✓	✓ ³	•	✓
Lower link – quick	–	•	•	•
Front hitch	✓	✓	✓	✓
Fuel heater	–	✓ ⁴	✓ ⁴	✓
PTO cruise	–	✓ ⁴	✓ ⁴	✓
Guard hydraulic filter	•	–	–	–
Rear hitch pin	•	–	–	–
Height adjustable hitch	–	•	•	•
Swing drawbar	–	•	•	–
Front weights	•	•	•	•
Front hitch	✓	✓	✓	✓
Rod lift bevel gear	–	•	•	–
Detent holder	–	•	–	–
Tube drain	–	•	•	•
DRIVE & TIRES				
4 wheel drive	✓	✓	✓	✓
Mechanical differential lock	✓	✓	✓	✓
Hydrostatic power steering	✓	✓	✓	✓
Tilt steering	–	✓	✓	✓
Quick turn	–	–	–	✓
HST cruise	✓	✓ ⁵	✓	–
HST RPM link	•	✓ ⁵	✓	–
Tires, agriculture	–	•	•	•
Tires, industrial	•	•	•	•
Tires, turf	•	•	•	•

• = option
✓ = standard
– = not available

¹ Optional for CT2035 Manual and CT2040 Manual
Standard for CT2025 HST, CT2035 HST and CT2040 HST

² Standard for CT2035 HST and CT2040 HST

Optional for CT2025 HST, CT2035 Manual and CT2040 Manual

³ Standard for CT2025 HST, CT2035 Manual and CT2040 Manual

⁴ Standard for CT2035, CT2040, CT2535 and CT2540

⁵ Standard for CT2025 HST, CT2035 HST and CT2040 HST

	1000 (ROPS)	2000 (ROPS)	2000 (CAB)	4000 (ROPS)
ROPS / CABIN				
Rear folding ROPS	✓	✓	–	✓
Cab w/HVAC, sunvisor, front/rear work lights	–	–	✓	–
Joystick lever	–	✓ ⁵	✓	–
12 V AUX	✓	✓	✓	✓
Beacon ready wiring	✓	✓	✓	✓
Beacon	•	•	•	•
Vinyl suspension seat, w/retractable seat belt	✓	✓	–	✓
Textile suspension seat, w/retractable seat belt	–	–	✓	–
Rear view mirror	✓	✓	✓	✓
Cup holder	✓	✓	✓	✓
OPC	✓	✓	✓	✓
SMV sign	✓	–	–	✓
Floor mat	–	✓	✓	✓
Toolbox	✓	✓	✓	✓
Guard front	•	•	•	•
Rear wiper	–	–	•	–
Plate cab number	–	–	•	–
Mirror cab	–	–	•	–
MISCELLANEOUS				
Light rear, work	•	•	✓	•
7 pin socket	✓	✓	✓	✓
Engine hood, 1 piece	✓	✓	✓	✓
Battery	✓	✓	✓	✓
Horn	✓	✓	✓	✓
Front fender	–	•	•	•



Rear PTO with optimized 540 RPM that provides maximum efficiency and connectivity – standard for all models.

STANDARD EQUIPMENT

Our Compact Tractors leave the factory with standard features that allow you to get down to work from Day 1. Covering everything from comfort to productivity, they continue to raise the bar for modern ground maintenance equipment.



Rear PTO, independent



PTO cover



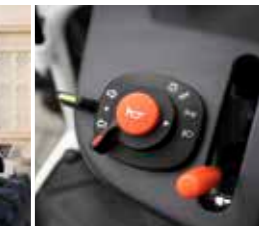
1-piece engine hood



4 wheel drive



Rear view mirror



Horn



12 V AUX



Toolbox



7-Pin socket



Beacon



Telescopic link



Turf & industrial tires



Rear work light

OPTIONAL EQUIPMENT

Sometimes, we all want to add a specific functionality or a personal touch to the machine. Choose from a list of comprehensive options and customize your Compact Tractor to your heart's content!



Quick lower link

MULTI-TOOL CARRIER

▶ VERSATILE FROM ALL SIDES

Use the ample power provided by the Mid or Rear PTO options and equip your Compact Tractor with a wide range of attachments made to handle any application with ease. Efficient operation is ensured by PTO running with 540 RPMs (rear) or up to 2 200 RPMs (mid) to maintain the best results.

▶ COMPATIBLE ATTACHMENTS

- Backhoe
- Ballast box
- Box Blade
- Finishing Mower
- Mid-Mount Mower
- Rake
- Rear Snow Blower
- Seeder
- Tiller



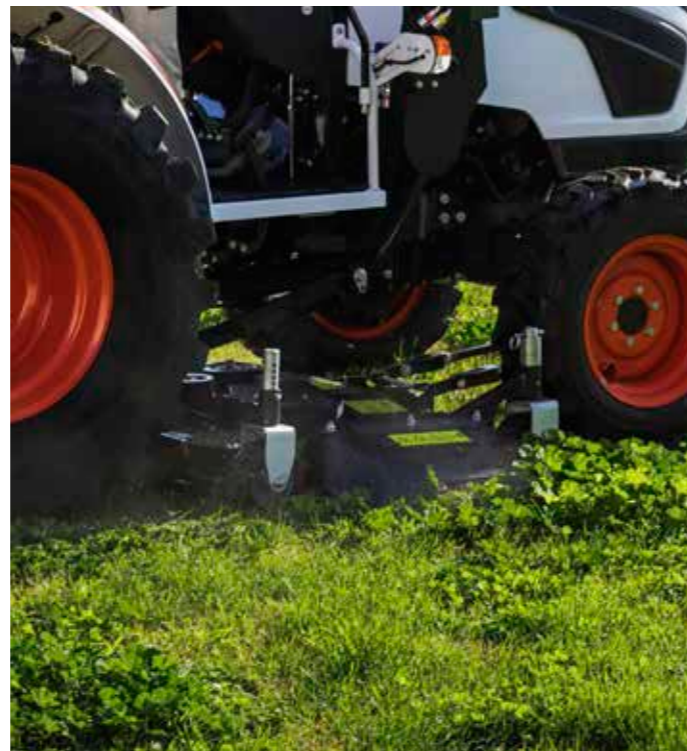
Finishing Mower



Tiller



Ballast Box



Mid-Mount Mower

ADAPTABLE BY NATURE

▶ CONNECT AS USUAL

With a Front-End Loader attachment – which features the well-known Bob-Tach™ interface – you can pair your machine with a wide portfolio of attachments. The Front-End Loader is easy to attach and to disconnect, so you get more done in less time.

▶ FRONT-END LOADER COMPATIBLE ATTACHMENTS

- General Purpose Bucket
- Pallet Fork
- Skeleton Bucket
- Snow Blade
- Utility Fork
- Utility Grapple
- + Self-levelling models available



Front-End Loader



General Purpose Bucket



Pallet Fork



Skeleton Bucket



Utility Fork

1000 PLATFORM

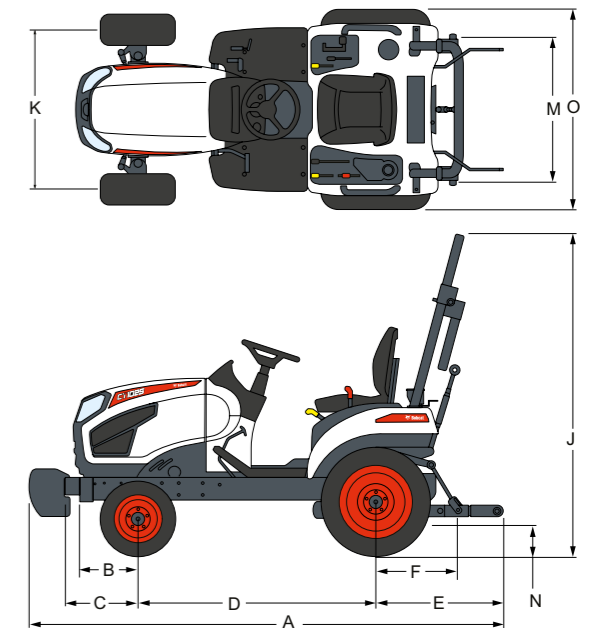
SPECIFICATIONS	
	CT1025 (HST)
ENGINE	
Engine type	3 cylinder, water cooled, 4 cycle, IDI*
Fuel	Diesel
Displacement	1 l
Max. torque	57 Nm
Gross power (ECE-R120)	24.5 HP
Net power	23 HP
Rated revolution	3 200 RPM
Alternator	12 V / 50 A
Air cleaner	Dry type, replaceable
Fuel tank	25.5 l
DRIVE TRAIN	
Transmission	HST, 2 range
Shuttle type	Hydrostatic drive
Max. travelling speed forward	16.5 km/h
Max. travelling speed reverse	11.2 km/h
Steering	Hydrostatic power steering
Turning radius (w/brake)	2 540 mm
Brake type	Wet disc type
Mechanical differential lock	Rear std.
HYDRAULIC SYSTEM	
Implement pump	18.7 l/min
Power steering pump	7 l/min
Total hydraulic flow	25.7 l/min
No. of std. remote valve ports (rear)	std. (2 port)
HITCH	
3-point lift control type	Position
3-point hitch type	Category 1
Lower link type	Ball
Lift capacity at lift point	715 kg
Lift capacity at 610 mm (24 in.) behind lift point	318 kg
PTO	
Max. PTO power	18.5 HP
Rear PTO type	Independent
Rear PTO speed	540 RPM
Mid PTO speed	2 200 RPM
TIRES	
Turf tires	Front: 18 × 8.5-10 R3 / Rear: 26 × 12.00-12 R3
Industrial tires	Front: 18 × 8.5-10 R4 / Rear: 26 × 12.00-12 R4
WEIGHT	
Machine weight	719 kg

*IDI – Indirect Injection

Certain specification(s) are based on engineering calculations and are not actual measurements. Specification(s) are provided for comparison purposes only and are subject to change without notice. Specification(s) for your individual Bobcat equipment will vary based on normal variations in design, manufacturing, operating conditions, and other factors. Pictures of Bobcat units may show other than standard equipment.



DIMENSIONS	
	CT1025
A Overall length with ballast weights	2 834 mm
B Front overhang	340 mm
C Front overhang with ballast support	434 mm
D Wheelbase	1 400 mm
E Rear overhang to lower link	758 mm
F Distance from the center of rear axle to coupling point	344 mm
J Overall height	2 224 mm
K Front track width	930 mm
M Rear track width	864 mm
N Ground clearance under the rear axle (hitch frame)	160 mm
O Overall width	1 155 mm



2000 PLATFORM

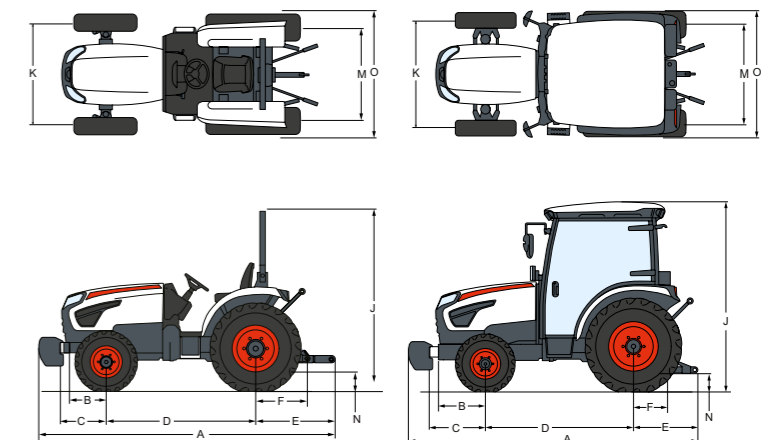
SPECIFICATIONS								
	CT2025 (HST)	CT2035 (MT)	CT2035 (HST)	CT2040 (MT)	CT2040 (HST)	CT2525 (HST)	CT2535 (HST)	CT2540 (HST)
ENGINE								
Engine type	3 cylinder, water cooled, 4 cycle, IDI*		3 cylinder, water cooled, 4 cycle, CRDI**			3 cylinder, water cooled, 4 cycle, IDI*	3 cylinder, water cooled, 4 cycle, CRDI**	
Fuel	Diesel							
Displacement	1.6 l		1.8 l			1.6 l	1.8 l	
Max. torque	84 Nm	115 Nm		118 Nm	84 Nm	115 Nm	118 Nm	
Gross power (ECE-R120)	24.5 HP	34.9 HP		39.6 HP	24.5 HP	34.9 HP	39.6 HP	
Net power	23 HP	32.9 HP		37.6 HP	23 HP	32.9 HP	37.6 HP	
Rated revolution	2 400 RPM		2 600 RPM			2 400 RPM	2 600 RPM	
Alternator	12 V / 75 A							
Air cleaner	Dry type, replaceable							
Fuel tank	34 l							
DRIVE TRAIN								
Transmission	HST, 3 range		Manual 12F/12R	HST, 3 range	Manual 12F/12R	HST, 3 range		
Shuttle type	Hydrostatic drive		Synchro shuttle	Hydrostatic drive	Synchro shuttle	Hydrostatic drive		
Max. travelling speed forward	16.1 km/h	25 km/h	25.5 km/h			16.1 km/h	25.5 km/h	
Max. travelling speed reverse	11.3 km/h	24.4 km/h	17.6 km/h	24.4 km/h	17.6 km/h	11.3 km/h	17.6 km/h	
Steering	Hydrostatic power steering							
Turning radius (w/brake)	2 450 mm							
Brake type	Wet disc type							
Mechanical differential lock	Rear std.							
HYDRAULIC SYSTEM								
Implement pump	24 l/min		26 l/min			24 l/min	26 l/min	
Power steering pump	15.6 l/min		16.9 l/min			15.6 l/min	16.9 l/min	
Total hydraulic flow	39.6 l/min		42.9 l/min			39.6 l/min	42.9 l/min	
No. of std. remote valve's ports (rear)	std. (2 port)				std. (4 port)			
HITCH								
3-point lift control type	Position							
3-point hitch type	Category 1							
Lower link type	Ball		Telescope	Ball	Telescope			
Lift capacity at lift point	1 030 kg							
Lift capacity at 610 mm (24 in.) behind lift point	740 kg							
PTO								
Max. PTO power	19 HP	31 HP	30 HP	34 HP	33 HP	19 HP	30 HP	33 HP
Rear PTO type	Independent							
Rear PTO speed	540/540E RPM							
Mid PTO speed	2 000 RPM (optional for MT)							
TIRES								
Agriculture tires	Front: 7-16 R1 / Rear: 11.4-24 R1							
Turf tires	Front: 27 x 8.5-15 R3 / Rear: 41 x 14.0-20 R3							
Industrial tires	Front: 25 x 8.5-14 R4 / Rear: 15-19.5 R4							
WEIGHT								
Machine weight	1 438 kg	1 410 kg	1 451 kg	1 410 kg	1 451 kg	1 601 kg	1 652 kg	

*IDI – Indirect Injection
 **CRDI – Vertical In-Line Common Rail Direct Injection

Certain specification(s) are based on engineering calculations and are not actual measurements. Specification(s) are provided for comparison purposes only and are subject to change without notice. Specification(s) for your individual Bobcat equipment will vary based on normal variations in design, manufacturing, operating conditions, and other factors. Pictures of Bobcat units may show other than standard equipment.



DIMENSIONS		
	CT2025 CT2035 CT2040	CT2525 CT2535 CT2540
A Overall length with ballast weights	3 487 mm	3 487 mm
B Front overhang	546 mm	546 mm
C Front overhang with ballast support	668 mm	668 mm
D Wheelbase	1 670 mm	1 670 mm
E Rear overhang to lower link	812 mm	812 mm
F Distance from the center of rear axle to coupling point	626 mm	626 mm
J Overall height	2 520 mm	2 372 mm
K Front track width	1 126 mm	1 126 mm
M Rear track width	1 102 mm	1 102 mm
N Ground clearance under the rear axle (hitch frame)	338 mm	338 mm
O Overall width	1 385 mm	1 385 mm



4000 PLATFORM

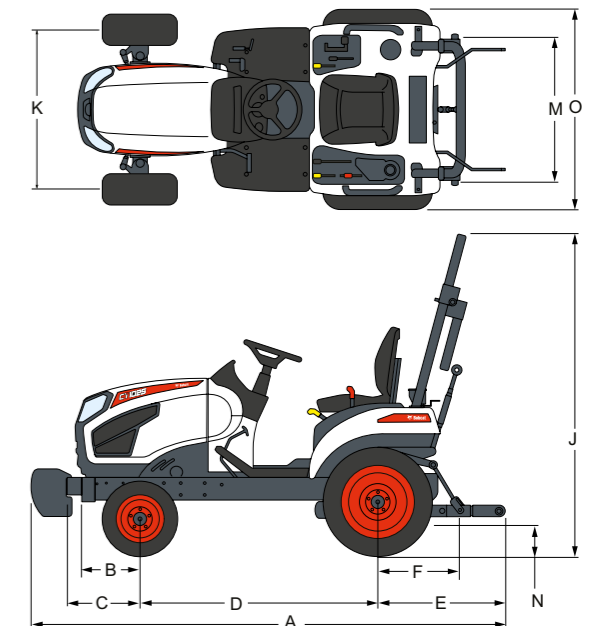
SPECIFICATIONS		
	CT4050 (HSS)	CT4058 (HSS)
ENGINE		
Engine type	3 cylinder, water cooled, 4 cycle, CRDI*	
Fuel	Diesel	
Displacement	1.8 l	
Max. torque	166 Nm	187 Nm
Gross power (ECE-R120)	50.3 HP	57.7 HP
Net power	48.3 HP	55.7 HP
Rated revolution	2 600 RPM	
Alternator	12 V / 75 A	
Air cleaner	Dry type, replaceable	
Fuel tank	45 l	
DRIVE TRAIN		
Transmission	Manual, 16F/16R	
Shuttle type	H-Shuttle	
Max. travelling speed forward	32.8 km/h	
Max. travelling speed reverse	32 km/h	
Steering	Hydrostatic power steering	
Turning radius (w/brake)	2 640 mm	
Brake type	Wet disc type	
Mechanical differential lock	Rear std.	
HYDRAULIC SYSTEM		
Implement pump	36.4 l/min	
Power steering pump	18.7 l/min	
Total hydraulic flow	55.1 l/min	
No. of std. remote valve ports (rear)	Std. (4 port)	
HITCH		
3-point lift control type	Position	
3-point hitch type	Category 1	
Lower link type	Ball	
Lift capacity at lift point	1 417 kg	
Lift capacity at 610 mm (24 in.) behind lift point	1 467 kg	
PTO		
Max. PTO power	40.9 HP	48 HP
Rear PTO type	Independent	
Rear PTO speed	540/540E RPM	
TIRES		
Agriculture tires	Front: 8-16 R1 / Rear: 13.6-24 R1	
Turf tires	Front: 29 × 12.5-15NHS R3 / Rear: 44 × 18.0-20 R3	
Industrial tires	Front: 10-16.5 (124 A2) / Rear: 17.5L-24 R4	
WEIGHT		
Machine weight	1 619 kg	

*CRDI – Vertical In-Line Common Rail Direct Injection

Certain specification(s) are based on engineering calculations and are not actual measurements. Specification(s) are provided for comparison purposes only and are subject to change without notice. Specification(s) for your individual Bobcat equipment will vary based on normal variations in design, manufacturing, operating conditions, and other factors. Pictures of Bobcat units may show other than standard equipment.



DIMENSIONS	
	CT4050 CT4058
A Overall length with ballast weights	3 189 mm
B Front overhang	484 mm
C Front overhang with ballast support	606 mm
D Wheelbase	1 808 mm
E Rear overhang to lower link	865 mm
F Distance from the center of rear axle to coupling point	528 mm
J Overall height	2 474 mm
K Front track width	1 254 mm
M Rear track width	1 251 mm
N Ground clearance under the rear axle (hitch frame)	387 mm
O Overall width	1 702 mm



FINANCING OPTIONS

24, 36, OR 48 MONTH FINANCING*

Take advantage of 24, 36 or 48 month financing programs starting from **0% interest** and improve your cashflow. Ask your dealer for the financing offers available.

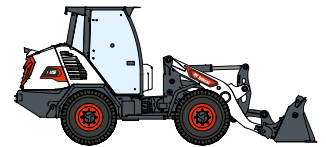
120 MACHINES / 150 ATTACHMENT FAMILIES / 1 TOUGH ANIMAL



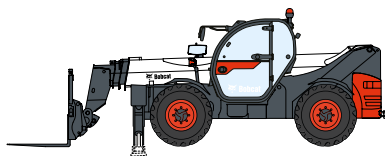
SKID-STEER
LOADERS



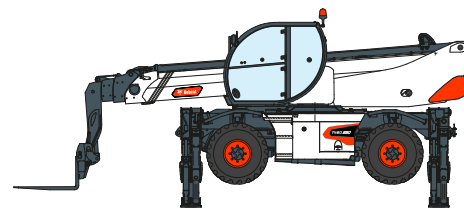
COMPACT TRACK
LOADERS



COMPACT WHEEL
LOADERS



TELEHANDLERS



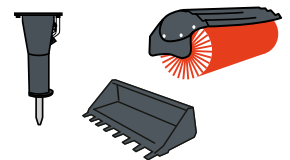
ROTARY TELEHANDLERS



LIGHT COMPACTION
EQUIPMENT



COMPACT
EXCAVATORS



ATTACHMENTS



SMALL ARTICULATED
LOADERS



MINI TRACK
LOADER



MOWERS



COMPACT
TRACTORS

DOOSAN

Bobcat is a Doosan Company. Doosan is a global leader in construction equipment, power & water solutions, engines, and engineering proudly serving customers and communities for more than a century. | Bobcat and the Bobcat logo are registered trademarks of Bobcat Company in the United States and various other countries. ©2023 Bobcat Company. All Rights Reserved.

www.bobcat.com

©2023 BOBCAT B4502442-EN (05-23)



Bobcat®

*Financing options may vary by country and dealer. Always ask your dealer about currently available financing options. Terms and conditions may apply.

Doosan Bobcat EMEA, U Kodelky 1810, 263 12 Dobříš, Czech Republic