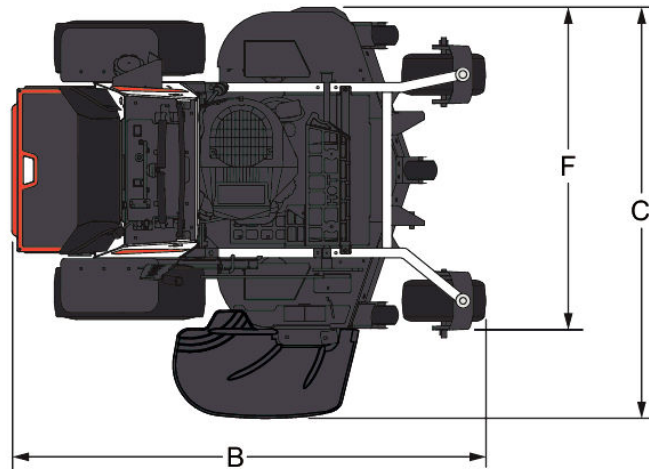
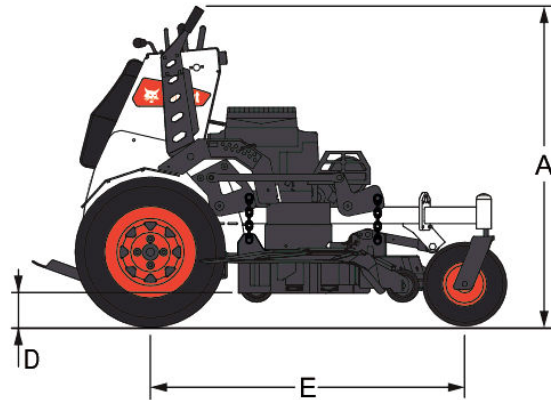


**ZS4000 – 48"**
**Dimensions**


(A) Height (ROP's Up)	1062.0 mm
(B) Overall Length	1626.0 mm
(C) Overall Width (Chute Up)	1229.0 mm
(C) Overall Width (Chute Down)	1546.0 mm
(D) Cutting Height	38 - 124 mm
(E) Wheelbase	1135.0 mm
(F) Cutting Width	1220.0 mm
(G) Blade Length	410.0 mm

**ZS4000 – 48”****Engine**

---

Model	Kaw FT651V
Engine power	14.9 kW
Displacement	726 cm <sup>3</sup>
Fuel Capacity	24.60 L
Air Filter	Dual Element

**Electrical**

---

Charging System	15 A
Clutch	889 N

**Deck**

---

Mower Deck	AirFX Cutting System
Leading Edge	Adjustable, Front Lip Standard
Width	1219.0 mm
Adjustable Anti-Scalp Rollers	4.0
Cutting Height	38.0-124.0 mm
Blade Tip Speed	16599 fpm @ 3550 Engine rpm
Discharge Chute	Flexible Molded Polymer

**Frame**

---

Front and Rear	1.5- x 2.5-inch Steel Tubing; Welded Steel Reinforced Frame
Machine Length	1625.0 mm
Machine Weight	435 kg

**Transmission**

---

Type	HG ZT-3400 Hydrostatic Transaxles
Pump Displacement	12 cm <sup>3</sup>
Oil Capacity	4.00 L
Forward Speed	16.8 km/h
Reverse Speed	5.6 km/h

**Wheels**

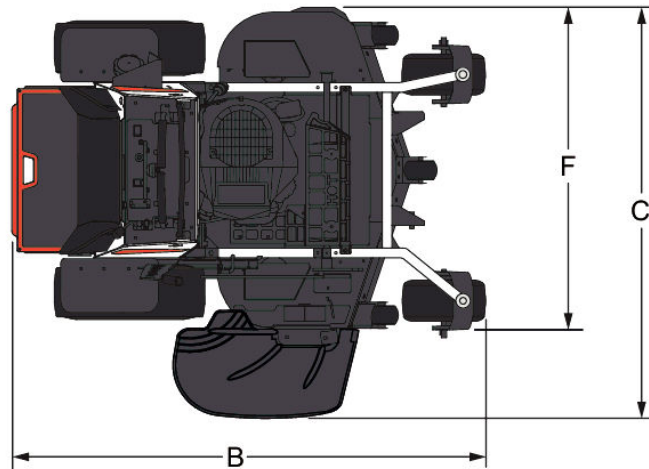
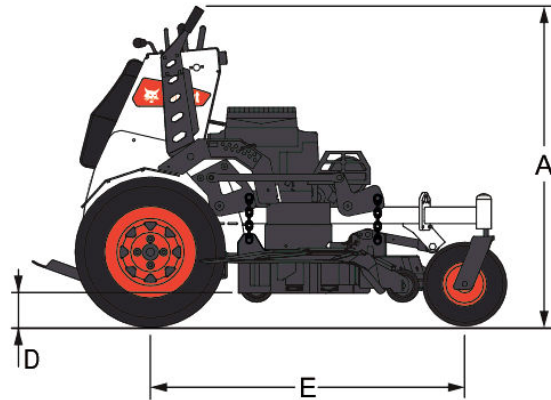
---

Drive Wheel Size	23 x 8.5-12
Front Caster Wheel Size	13 x 6.5-6
Caster Arm Attachment	Bolt-On

**Operator Platform**

---

Adjustment	Flip Up and Latch
Rider Pad	Removable for Service
Vibration Isolation	Dampened

**ZS4000 – 52"**
**Dimensions**


(A) Height (ROP's Up)	1062.0 mm
(B) Overall Length	1626.0 mm
(C) Overall Width (Chute Up)	1369.0 mm
(C) Overall Width (Chute Down)	1686.0 mm
(D) Cutting Height	38 - 124 mm
(E) Wheelbase	1265.0 mm
(F) Cutting Width	1330.0 mm
(G) Blade Length	460.0 mm

**ZS4000 – 52”****Engine**

---

Model	Kaw FT730V
Engine power	17.9 kW
Displacement	726 cm <sup>3</sup>
Fuel Capacity	24.60 L
Air Filter	Dual Element

**Electrical**

---

Charging System	15 A
Clutch	889 N

**Deck**

---

Mower Deck	AirFX Cutting System
Leading Edge	Adjustable, Front Lip Standard
Width	1320.0 mm
Adjustable Anti-Scalp Rollers	4.0
Cutting Height	38.0-124.0 mm
Blade Tip Speed	16043 fpm @ 3550 Engine rpm
Discharge Chute	Flexible Molded Polymer

**Frame**

---

Front and Rear	1.5- x 2.5-inch Steel Tubing; Welded Steel Reinforced Frame
Machine Length	1625.0 mm
Machine Weight	449 kg

**Transmission**

---

Type	HG ZT-3400 Hydrostatic Transaxles
Pump Displacement	12 cm <sup>3</sup>
Oil Capacity	4.00 L
Forward Speed	16.8 km/h
Reverse Speed	5.6 km/h

**Wheels**

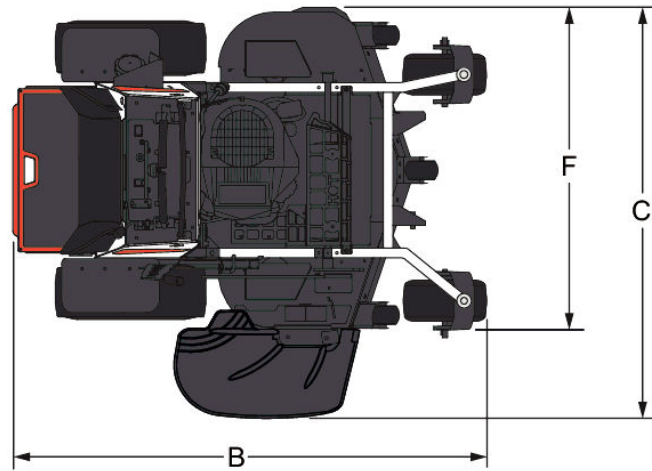
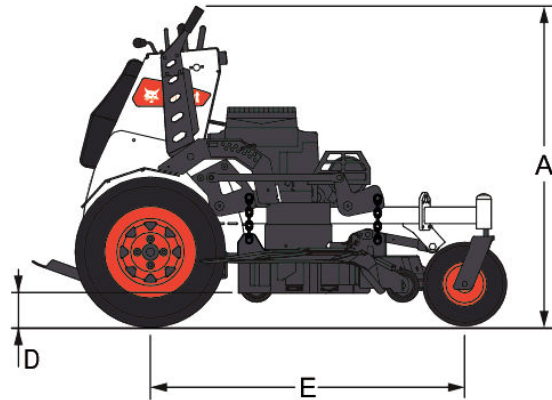
---

Drive Wheel Size	23 x 10.5-12
Front Caster Wheel Size	13 x 6.5-6
Caster Arm Attachment	Bolt-On

**Operator Platform**

---

Adjustment	Flip Up and Latch
Rider Pad	Removable for Service
Vibration Isolation	Dampened

**ZS4000 – 61”**
**Dimensions**


(A) Height (ROP's Up)	1062.0 mm
(B) Overall Length	1626.0 mm
(C) Overall Width (Chute Up)	1575.0 mm
(C) Overall Width (Chute Down)	1854.0 mm
(D) Cutting Height	38 - 124 mm
(E) Wheelbase	1265.0 mm
(F) Cutting Width	1550.0 mm
(G) Blade Length	530.0 mm

**ZS4000 – 61”****Engine**

---

Model	Kaw FT730V
Engine power	17.9 kW
Displacement	726 cm <sup>3</sup>
Fuel Capacity	24.60 L
Air Filter	Dual Element

**Electrical**

---

Charging System	15 A
Clutch	889 N

**Deck**

---

Mower Deck	AirFX Cutting System
Leading Edge	Adjustable, Front Lip Standard
Width	1549.0 mm
Adjustable Anti-Scalp Rollers	7.0
Cutting Height	38.0-124.0 mm
Blade Tip Speed	16816 fpm @ 3550 Engine rpm
Discharge Chute	Flexible Molded Polymer

**Frame**

---

Front and Rear	1.5- x 2.5-inch Steel Tubing; Welded Steel Reinforced Frame
Machine Length	1625.0 mm
Machine Weight	466 kg

**Transmission**

---

Type	HG ZT-3400 Hydrostatic Transaxles
Pump Displacement	12 cm <sup>3</sup>
Oil Capacity	4.00 L
Forward Speed	16.8 km/h
Reverse Speed	5.6 km/h

**Wheels**

---

Drive Wheel Size	23 x 10.5-12
Front Caster Wheel Size	13 x 6.5-6
Caster Arm Attachment	Bolt-On

**Operator Platform**

---

Adjustment	Flip Up and Latch
Rider Pad	Removable for Service
Vibration Isolation	Dampened