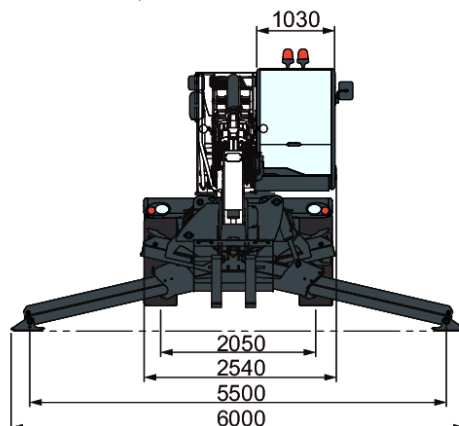
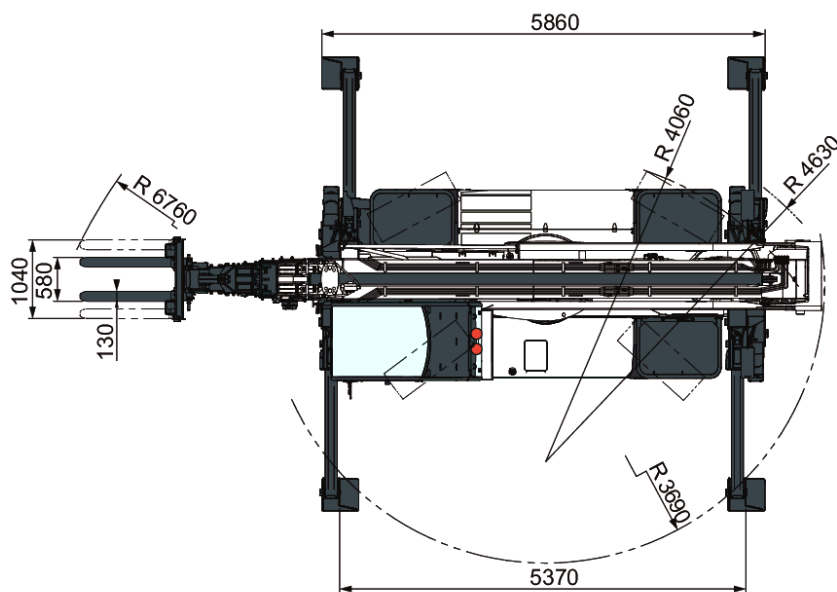
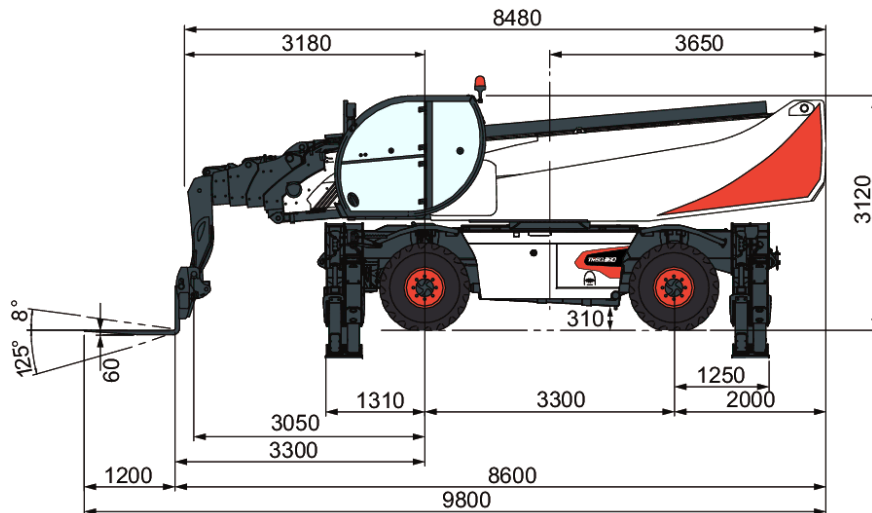
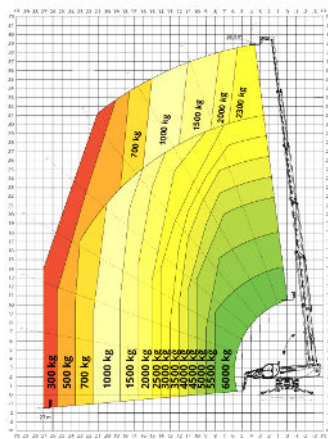
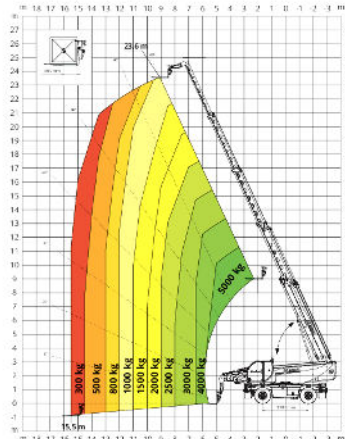
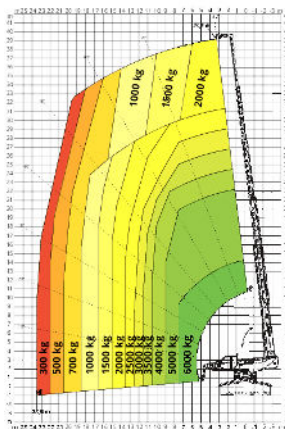
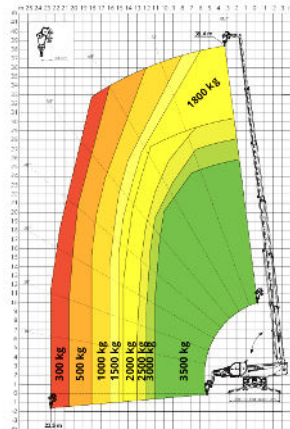
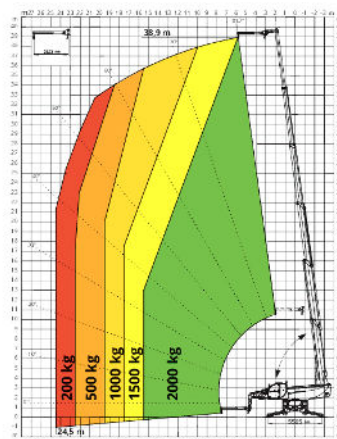
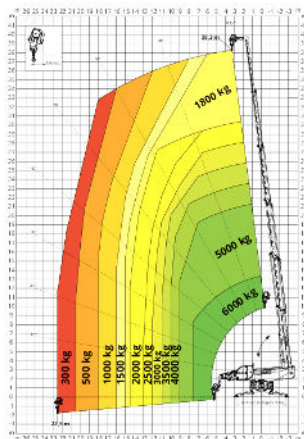


TR80-390 V R2-Series

Telescopic
Specifications

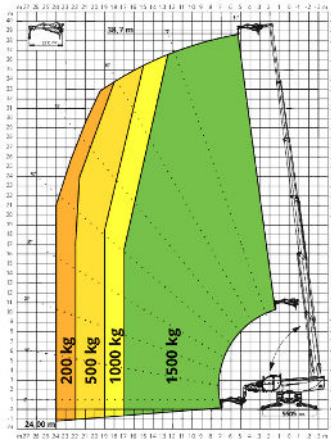
Dimensions



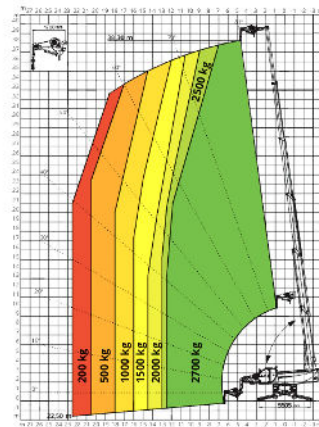
Load Charts
**360° LOAD CHART
ON FULLY EXTENDED STABILIZERS**

HOOK 6,000 kg
FRONTAL LOAD CHART ON TYRES

WINCH 3,500 kg

WINCH 6,000 kg

JIB WITH WINCH 2,000 kg


Load Charts

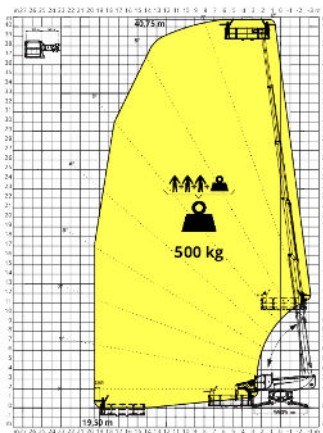
JIB WITH WINCH 1,500 kg



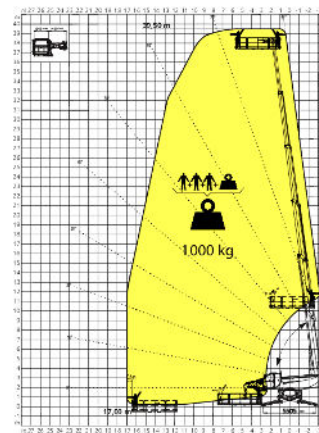
JIB WITH WINCH 2,700 kg



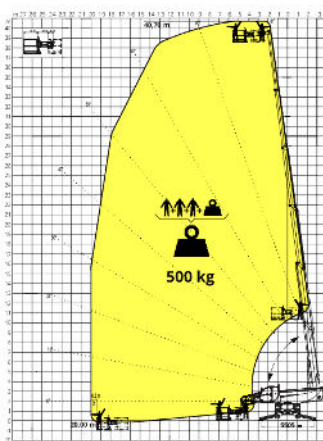
ROTATING EXTENDABLE BASKET 500 kg



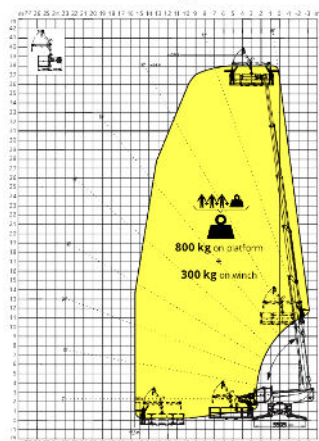
ROTATING EXTENDABLE BASKET 1,000 kg



ROTATING NON EXTENDABLE BASKET 500 kg



BASKET 6.5 m 500 kg WITH WINCH 300 kg



Performance

| | |
|--|-------------------------------|
| Rated capacity | 8,000 kg @ 600 mm Load Center |
| Max. lifting height (stabilisers fully extended) | 39 m |
| Capacity at max. height (stabilisers fully extended) | 2300 kg |
| Max. reach (stabilisers fully extended) | 27 m |
| Capacity at max. reach (stabilisers fully extended) | 300 kg |
| Frame levelling | +/- 8° |
| Max. speed | 40.0 km/h |
| Turret Rotation | 360° (Continuous) |

Stabilisers

| | |
|---|---|
| Type | Telescopic scissors |
| Stabilization system | Ground pressure detection. Automatic levelling. Lifting capacity adjusted in proportion to stabiliser extension |
| Stabilization area (stabilisers fully extended) | 5.86 x 6.0 m |

Weights

| | |
|--|----------|
| Weight (unladen) | 24000 kg |
| Front axle weight unladen (boom retracted and lowered) | 12000 kg |
| Rear axle weight unladen (boom retracted and lowered) | 12000 kg |

Engine

| | |
|-------------------------|-----------------------------|
| Make / Model | Volvo TAD 583 VE |
| Compliance | Stage V |
| Fuel | Diesel |
| Cooling | liquid - Intercooler |
| Rated power (ISO 14396) | 175 kW (238 hp) @ 2,300 rpm |
| Maximum torque | 975 Nm @ 1,380 rpm |
| Number of cylinders | 4.0 |
| Displacement | 5.13 L |

Hydraulic System

| | |
|---------------------------------|--|
| Pump type | Load Sensing pump |
| Pump capacity | 160.00 L/min |
| Output at the auxiliary line | 65.00 L/min |
| Relief valve pressure setting | 350.00 bar |
| Control valve (boom and turret) | Electro-proportional with flow sharing |

Drive System

| | |
|--------------|--|
| Transmission | Hydrostatic with electronic regulation / 4 wheel drive |
| Main drive | Electronically controlled variable displacement pump. Variable displacement motor. 2-speed gear box |

Traction

| | |
|-----------------------------------|--------------|
| Standard tyres | 445/65 R22,5 |
| Max. speed at Low range (turtle) | 11.0 km/h |
| Max. speed at High range (rabbit) | 40.0 km/h |
| Towing force | 152.00 kN |
| Gradeability | 65.00 % |

Axles and brakes

| | |
|-----------------|---|
| Axle type | Oil-immersed axles with planetary gears |
| Rear axle | Oscillating and steering with hydraulic locking |
| Front axle | Oscillating and steering with levelling +/-8° |
| Service brake | Hydraulically operated wet multi-disk brakes on each axle |
| Parking brake | Hydraulic with negative action |
| Emergency brake | Passive brake with automatic actuation |

Steering

| | |
|--------------------------------------|---|
| Steering modes | 3 steering modes with semi-automatic wheel realignment. 2 wheel steering / 4 wheel steering / Crab-steer |
| External turning radius (with forks) | 4 m |

Fluid Capacities

| | |
|---------------------|----------|
| Fuel tank | 270.00 L |
| Adblue | 40.00 L |
| Hydraulic reservoir | 195.00 L |
| Engine oil | 16.00 L |
| Cooling system | 40.00 L |

Environmental

| | |
|---------------------------------------|-----------------------|
| Operator noise level (LpA) (En 12053) | 72 dB(A) |
| Level of acoustic power (LWA) | 108 dB(A) |
| Whole body vibration (ISO 2631-1): | 0.58 ms ⁻² |
| Hand-arm vibration (ISO 5349-1) | 0.85 ms ⁻² |

Standards

| | |
|---------------------|--|
| Standard compliance | EN 1459-2: slewing variable-reach trucks. EN 13000: hydraulic cranes. EN 280: mobile elevating work platforms. FOPS/ROPS cabin. EU 2016/1628: engine emissions |
|---------------------|--|

Standard Features

Standard Features

- Frame and Telescopic boom:
 - Quick fit carriage with manual attachment lock
 - Pallet Fork Frame Floating, 1,3m wide, Forks included
 - Auxiliary hydraulic line on boom head and return line to hydraulic tank
 - Automatic RFID tools recognition system
 - Man platform ready and electric emergency pump
 - Winch ready
 - Heavy duty axles with epicyclic reduction gears, oil immerse brakes
 - Rear axles oscillating and steering with hydraulic locking
 - Towing hook
 - Frame leveling +/-8°
 - Complete road lights (front & rear)
 - Right and left side mirrors
 - *****
- Cabin and main functions:
 - Cabin with full glass window door
 - Full tinted glass
 - Pressurized Cab, 100% air filtration
 - ROPS/FOPS operator cabin
 - Automatic parking brake
 - Roof window wiper
 - Front wipers with washer
 - Rotating beacon
 - Adjustable steering column
 - Heating, demisting and ventilation
 - Air conditioning (HVAC)
 - Back-up alarm
 - Bluetooth radio, microphone & loudspeakers
 - Mechanical Suspension Seat
 - 10" touch screen
 - Jog shuttle
 - Two multifunctional joysticks with proportional controls and forward/reverse drive
 - Load moment control system with dynamic load chart on touchscreen display
 - Auto idle
 - Autoleveling system on stabilisers
 - 3 steering modes (2WS /4WS / CRAB) with semi-automatic wheel realignment
 - Rear axle lock indicator
 - Front and rear wheels alignment indicator
 - 24V Electric socket
 - CAN Bus technology with auto-diagnostic system
 - *****
- Drive/Engine/Hydraulic:
 - Electro proportional main valve with flow sharing
 - High precision slewing drive
 - Hydrostatic transmission with electronically controlled variable displacement pump Variable displacement motor 2-speed gear box (turtle/rabbit)
 - 40 km/h max drive speed
 - Standard tyres - set of 4 x 445/65 R22,5"
 - Turbo-charged engine - Volvo TAD 582 VE Stage V - 218hp / 925Nm
 - Battery Disconnection (inside engine compartment)
 - *****
 - 2 year warranty or 2000 hours (refer to the Bobcat standard warranty policy for terms and conditions)
 - Telemetry system